



### MISURE DI SERIE, STANDARD MEASUREMENTS,

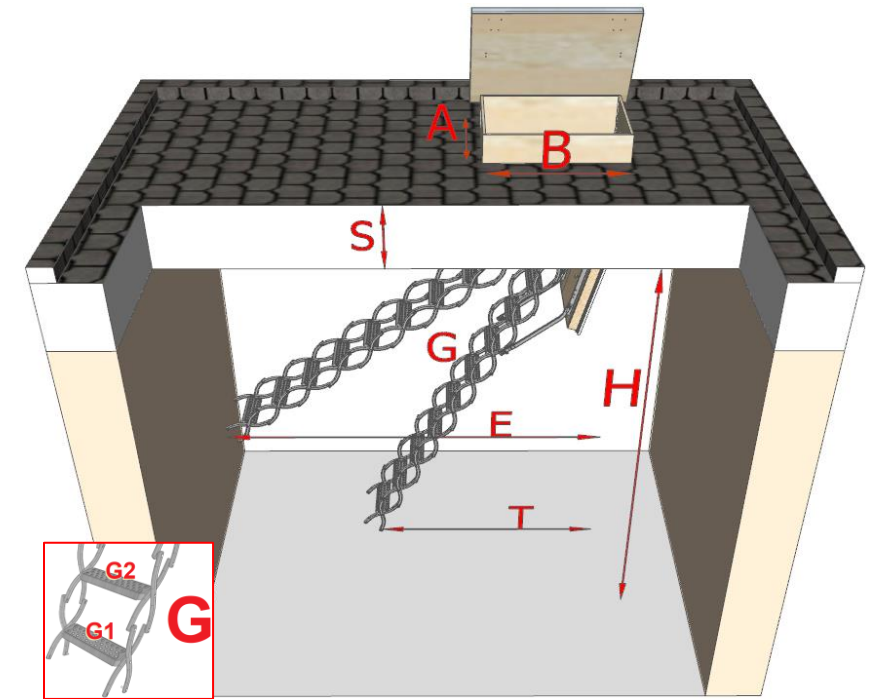
| BxA      | G  | H   | T   | E   | S                      | C                      |
|----------|----|-----|-----|-----|------------------------|------------------------|
| 100 x 70 | 9  | 225 | 123 | 134 | stand<br>ard 45<br>max | stand<br>ard 65<br>max |
|          |    | 250 | 104 |     |                        |                        |
|          | 10 | 251 | 135 | 146 |                        |                        |
|          |    | 275 | 114 |     |                        |                        |
| 120 x 70 | 11 | 276 | 148 | 158 |                        |                        |
|          |    | 300 | 120 |     |                        |                        |
|          | 12 | 301 | 157 | 170 |                        |                        |
|          |    | 325 | 129 |     |                        |                        |
|          | 13 | 326 | 168 | 182 |                        |                        |
| 350      |    | 137 |     |     |                        |                        |

VALORI IN CENTIMETRI, VALUES IN CENTIMETERS, LES VALEURS EN CENTIMETRES

### MISURE EXTRA, EXTRA MEASUREMENTS,

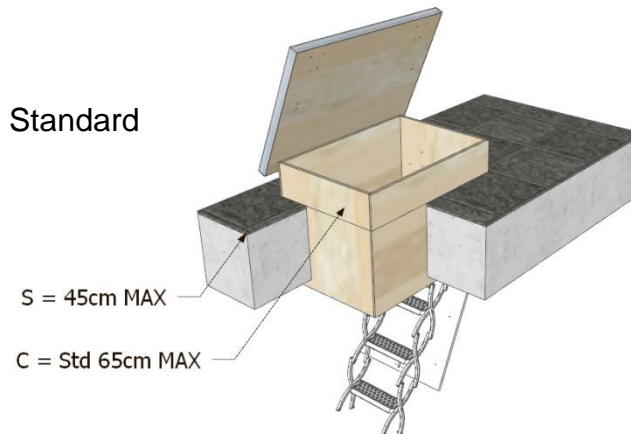
| BxA             | G     | H                  | S                            | C                      |
|-----------------|-------|--------------------|------------------------------|------------------------|
| MIN<br>80 x 70  | 9/11  | MAX 300            | stand<br>ard<br>max<br>25 cm | stand<br>ard 65<br>max |
| MAX<br>150 x 90 | 10/13 | MIN 310<br>MAX 350 |                              |                        |

VALORI IN CENTIMETRI, VALUES IN CENTIMETERS, LES VALEURS EN CENTIMETRES

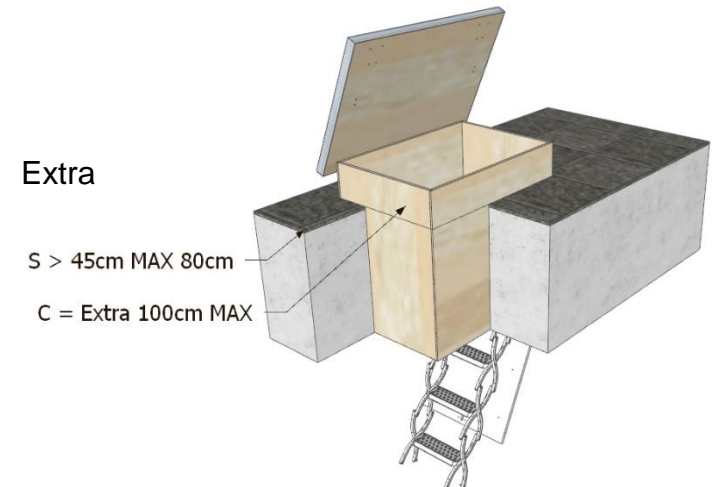


### SOLETTA (S), SLAB, SALLE

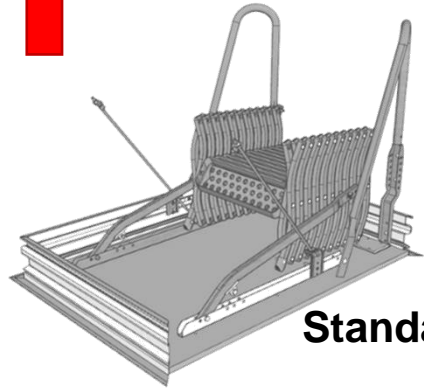
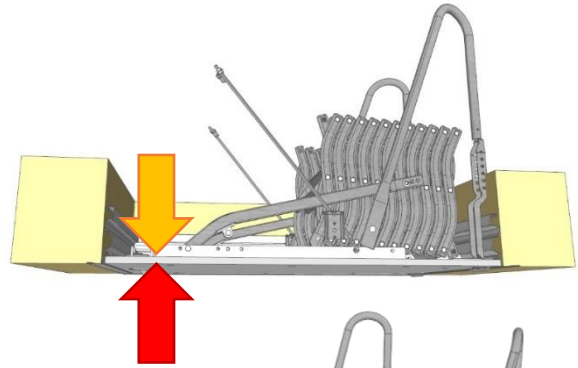
#### Standard



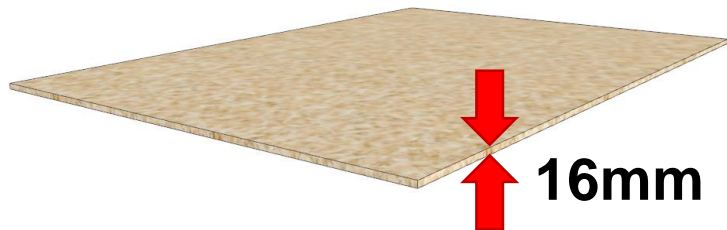
#### Extra



### STANDARD

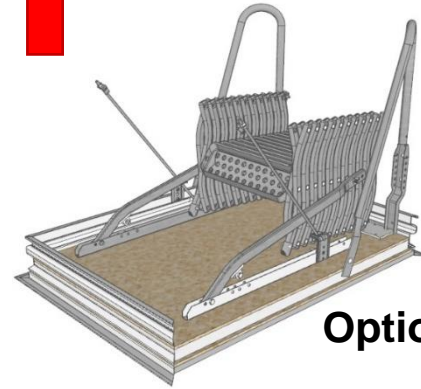
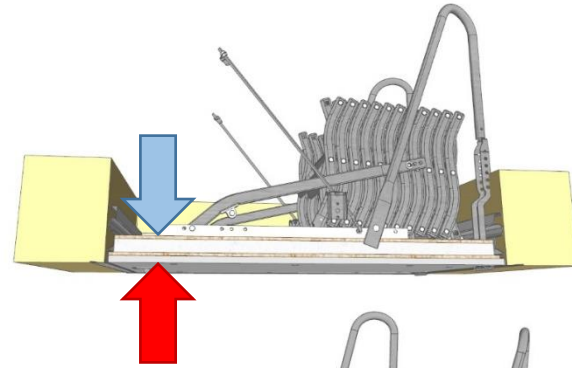


**Standard**



**16mm**

### OPTIONAL



**Optional**



**48mm**

**Pannello coibentato**

*Panneau d'isolation*

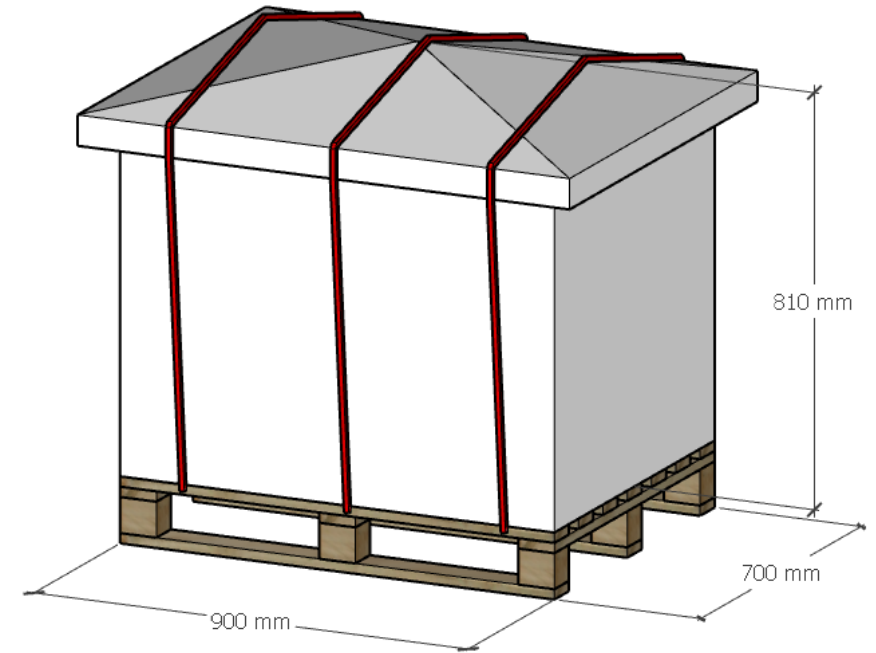
*Insulated panel*

*Isolierte Paneel*

*Panel aislante*

**Up= 0.86 W/(m<sup>2</sup>\*K)**

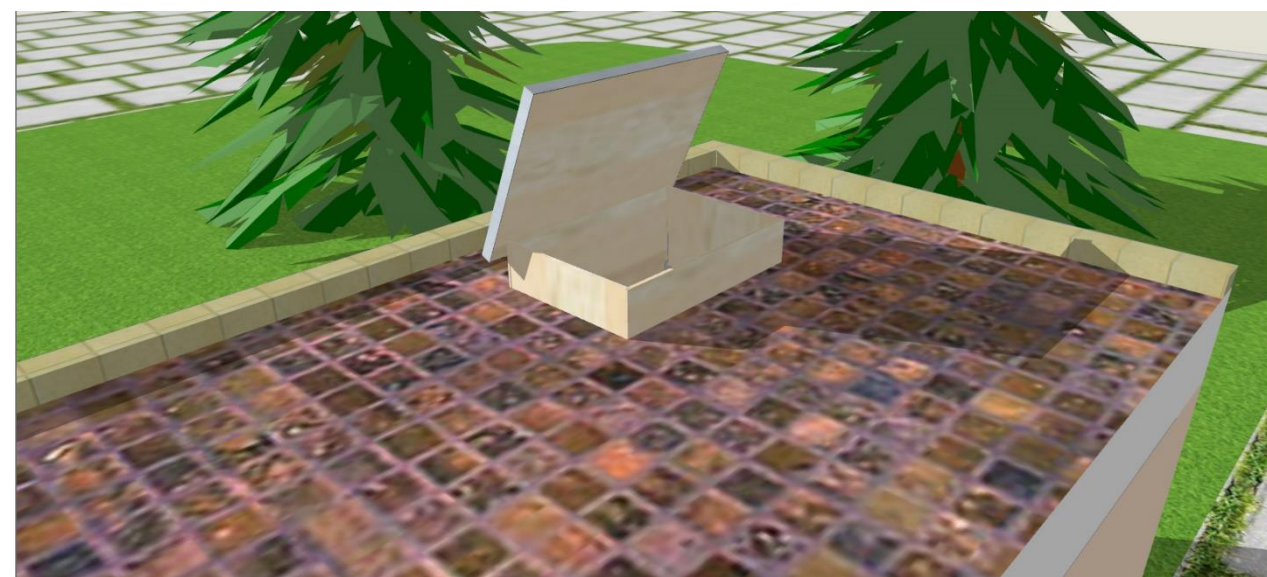
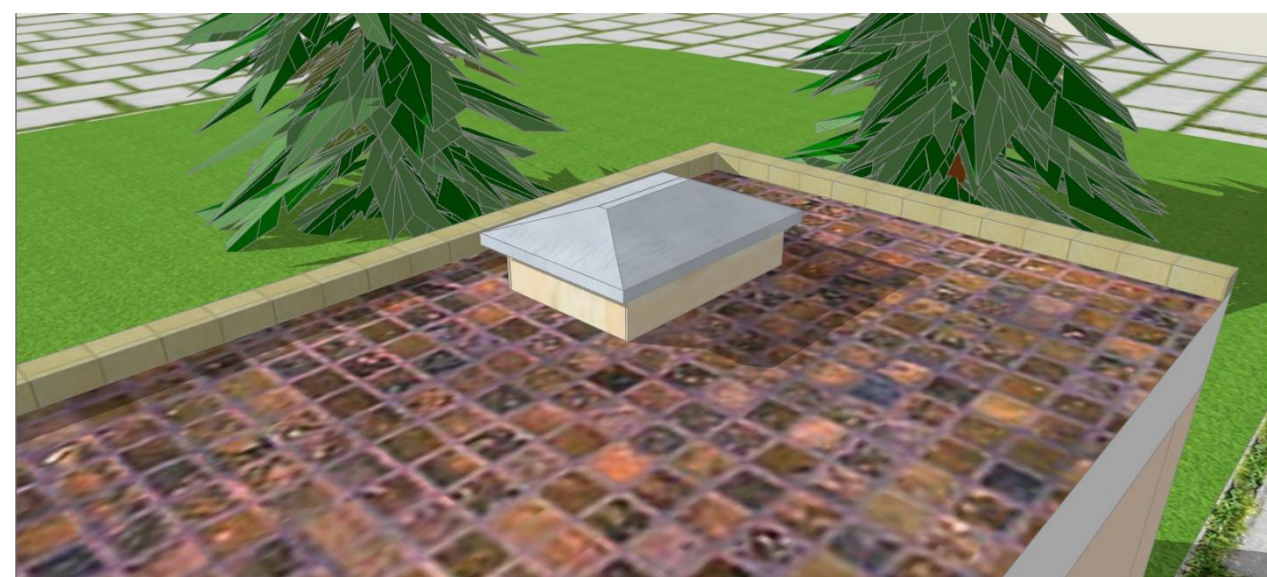
### IMBALLI E PESO



**60 ÷ 85 Kg**



TERRAZZA



TETTO INCLINATO

